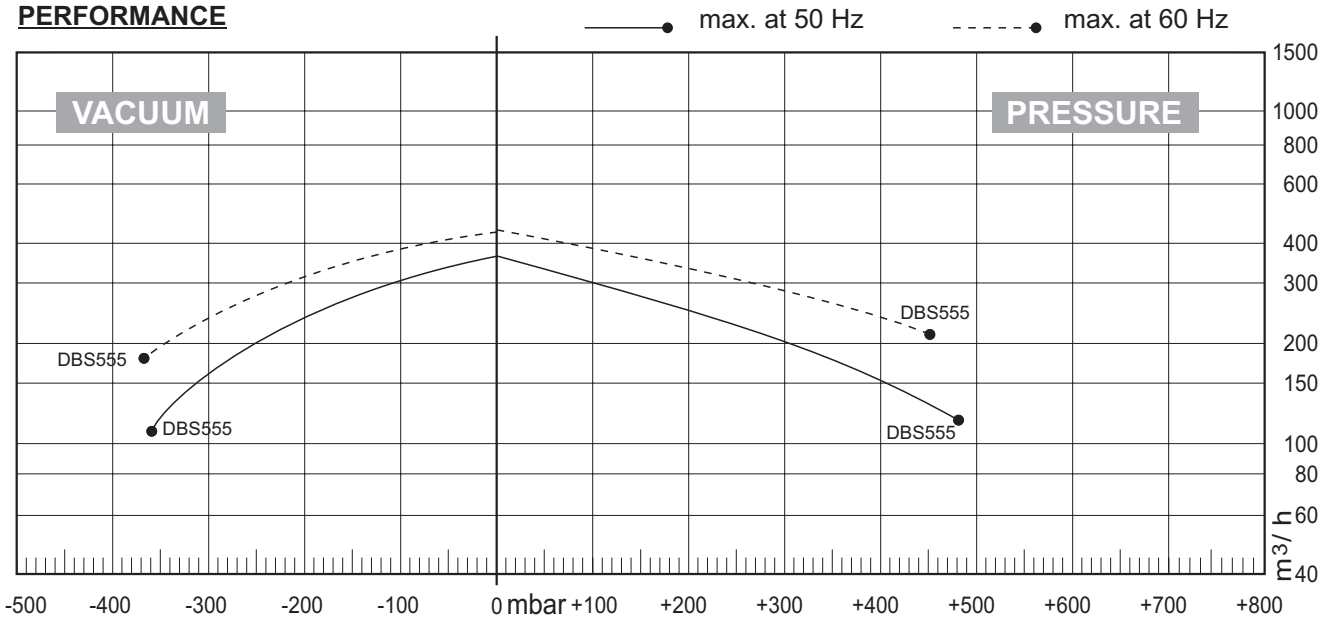


TECHNICAL DATA

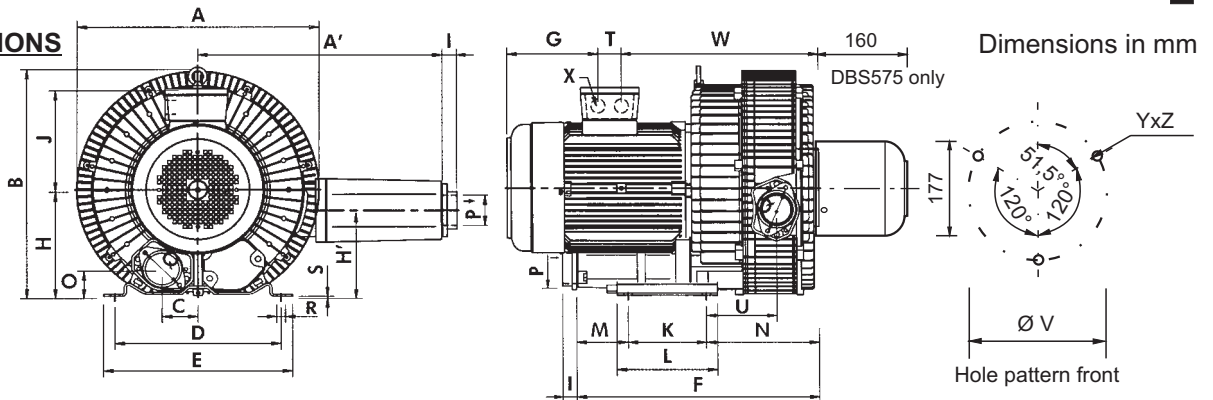
	50 Hz		60 Hz	
Power DBS 555	5.5	kW	6.5	kW
Voltage DBS 555	400/690	V	400/690	V
Current DBS 555	11/6.4	A	14/8.1	A
Revolutions	2900	/min	3500	/min
Noise level	75	dB(A)	79	dB(A)
Protection class	IP 54		IP 54	
Weight DBS 555	72	kg	72	kg



PERFORMANCE



DIMENSIONS



	A	A'	B	C'	D	E	F	G	H	H'	I	J	K	L
DBS555	424	427	415	151	290	334	571	161	196	158	27	190	140	180
	M	N	O	P	Q	R	S	T	U	V	W	X	YxZ	
DBS555	229	202	104	2"	83	4xØ15	4	43	126.5	240	382	3/4"	M8x15	