

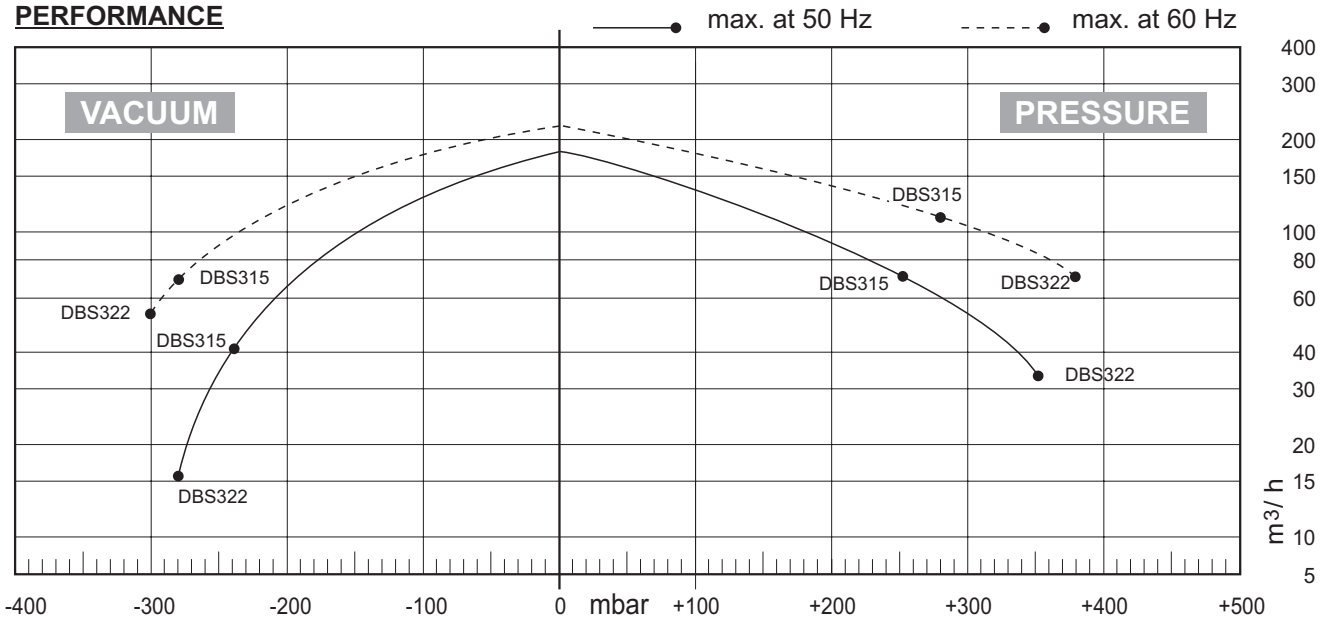
TECHNICAL DATA

DBS 315(1) 1-phase, DBS 315(3) & DBS 322(3) 3-phase

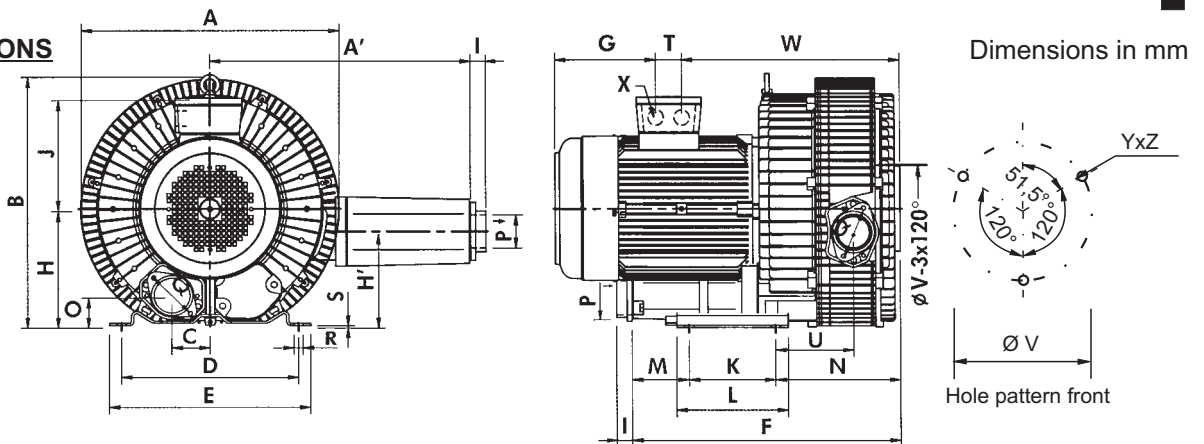
		50 Hz		60 Hz	
Power	DBS 315(1)	1.5	kW	1.8	kW
	DBS 315(3)	1.5	kW	1.8	kW
	DBS 322(3)	2.2	kW	2.6	kW
Voltage	DBS 315(1)	230	V	230	V
	DBS 315(3)	230/400	V	230/400	V
	DBS 322(3)	230/400	V	230/400	V
Current	DBS 315(1)	10.5	A	10.8	A
	DBS 315(3)	5.9/3.4	A	6.9/4.0	A
	DBS 322(3)	7.8/4.5	A	9.5/5.5	A
Revolutions	(1)	2800	/min	3400	/min
	(3)	2900	/min	3500	/min
Noise level		66	dB(A)	69	dB(A)
Protection class		IP 54		IP 54	
Weight	DBS 315(1)	25	kg	25	kg
	DBS 315(3)	25	kg	25	kg
	DBS 322(3)	28	kg	28	kg



PERFORMANCE



DIMENSIONS



A	A'	B	C'	D	E	F	G	H	H'	I	J	K	L
308	315.5	306	57.5	225	253	314	152	152	152	0	134	95	130
M	N	O	P	Q	R	S	T	U	V	W	X	YxZ	
68.5	150.5	42.5	1 1/2"	68	4xØ12	3	0	104.5	174	238	1/2"	M6x15	