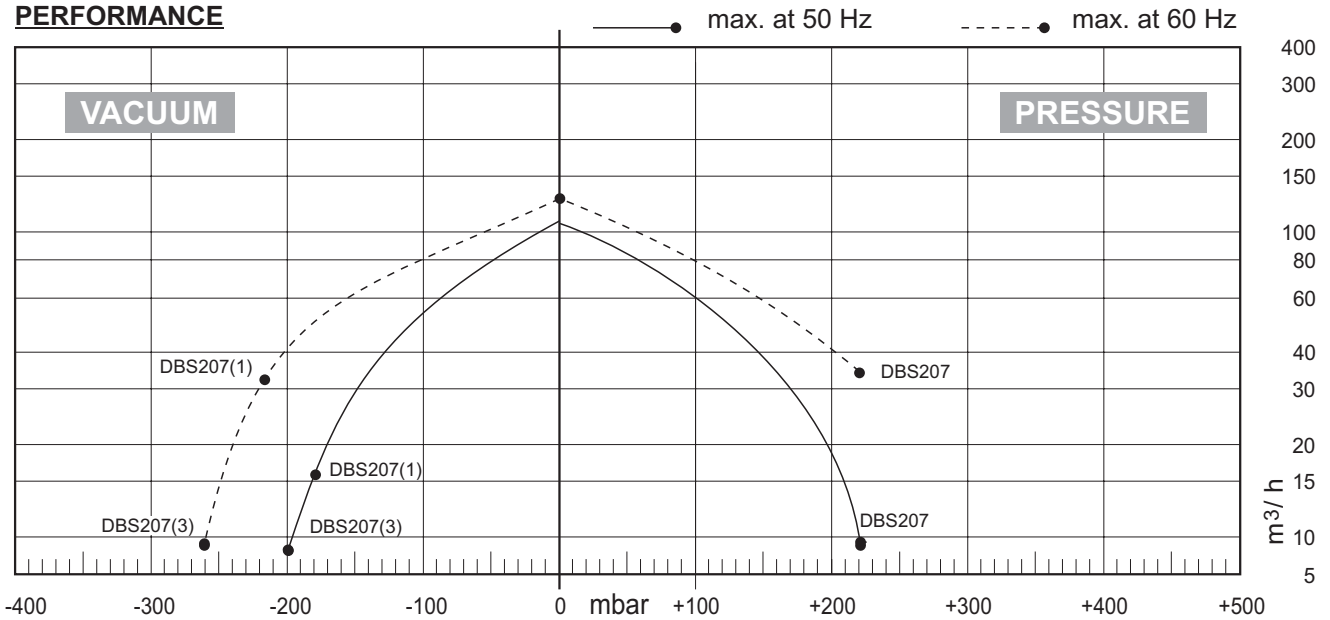


### TECHNICAL DATA DBS 207(1) 1-phase, DBS 207(3) 3-phase

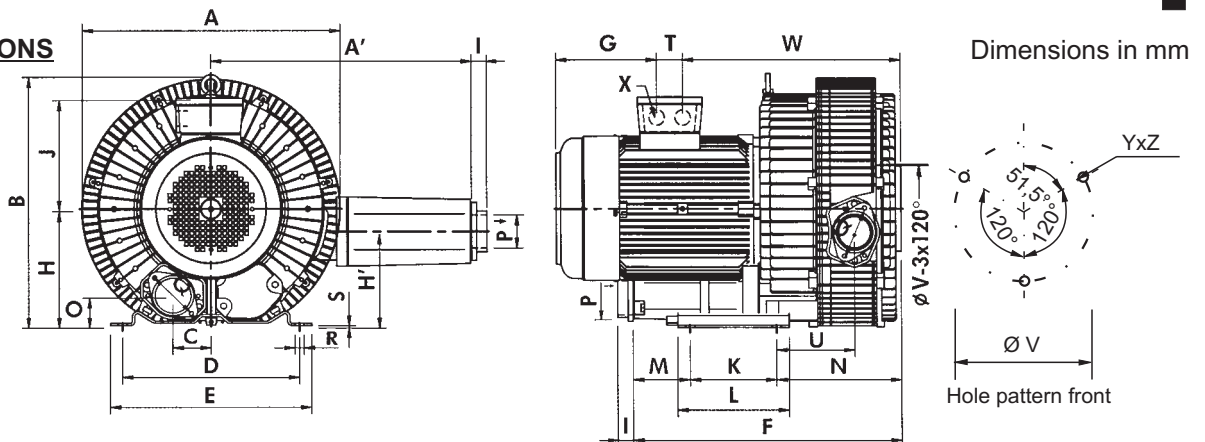
		50 Hz		60 Hz	
Power	DBS 207(1)	0.75	kW	0.9	kW
	DBS 207(3)	0.75	kW	0.9	kW
Voltage	DBS 207(1)	230	V	230	V
	DBS 207(3)	230/400	V	230/400	V
Current	DBS 207(1)	4.5	A	5.4	A
	DBS 207(3)	2.9/1.7	A	3.6/2.1	A
Revolutions	(1)	2800	/min	3400	/min
	(3)	2900	/min	3500	/min
Noise level		60	dB(A)	66	dB(A)
Protection class		IP 54		IP 54	
Weight	DBS 207(1)	18	kg	18	kg
	DBS 207(3)	17	kg	17	kg



### PERFORMANCE



### DIMENSIONS



A	A'	B	C'	D	E	F	G	H	H'	I	J	K	L
284	303	272	46	205	227	293	117	130	110	29	114.5	83	108
M	N	O	P	Q	R	S	T	U	V	W	X	YxZ	
73	136.5	40	1 1/4"	64	4xØ10	2.3	0	89	140	192	1/2"	M6x15	