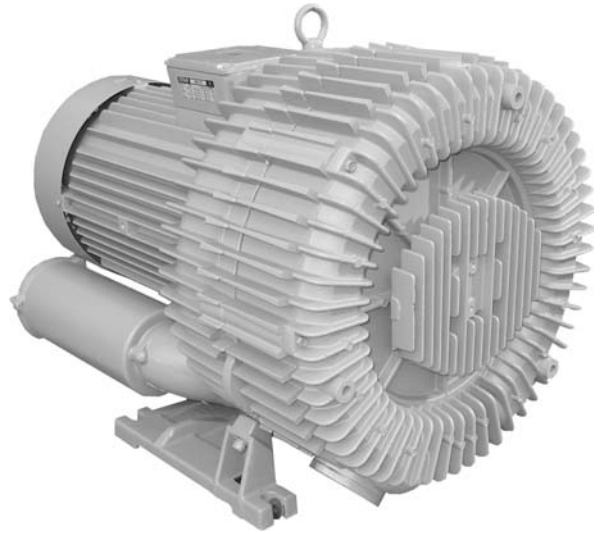
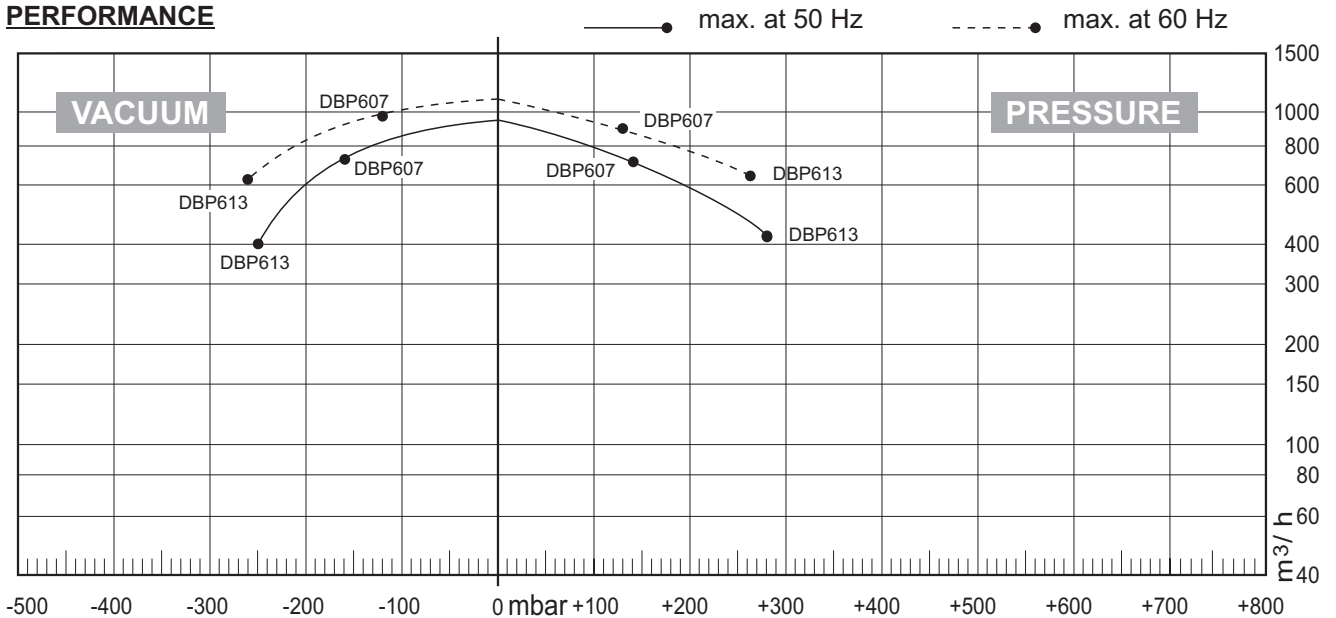


**TECHNICAL DATA**

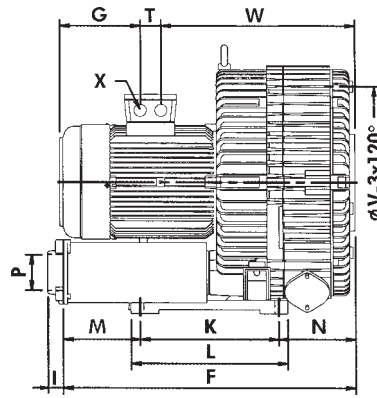
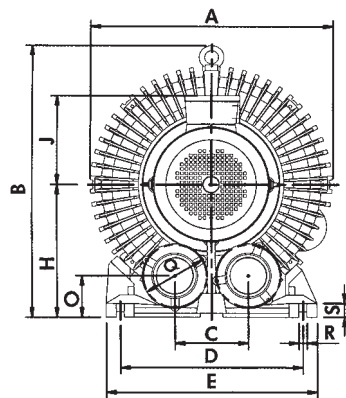
		50 Hz		60 Hz	
Power	DBP 607	7.5	kW	9	kW
	DBP 613	13	kW	15	kW
Voltage	DBP 607	400/690	V	400/690	V
	DBP 613	400/690	V	400/690	V
Current	DBP 607	16/9.2	A	19/11	A
	DBP 613	26/15	A	30/17	A
Revolutions		2900	/min	3500	/min
Noise level		76	dB(A)	81	dB(A)
Protection class		IP 54		IP 54	
Weight	DBP 607	110	kg	110	kg
	DBP 613	140	kg	140	kg



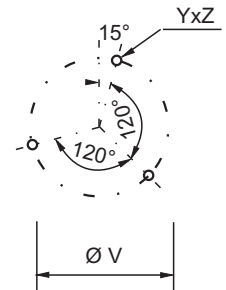
**PERFORMANCE**



**DIMENSIONS**



Dimensions in mm



Hole pattern front

	A	B	C	D	E	F	G	H	I	J	K	L
DBP 607	486	556	147	365	422	590	163	270	31	180	280	316
DBP 613			288			700	313			211		
	M	N	O	P	Q	R	S	T	V	W	X	YxZ
DBP 607	155		84	2 1/2"	128	4xø16	28	42	408	391.5	3/4"	M12x15
DBP 613	265	155	109					55		379	1"	