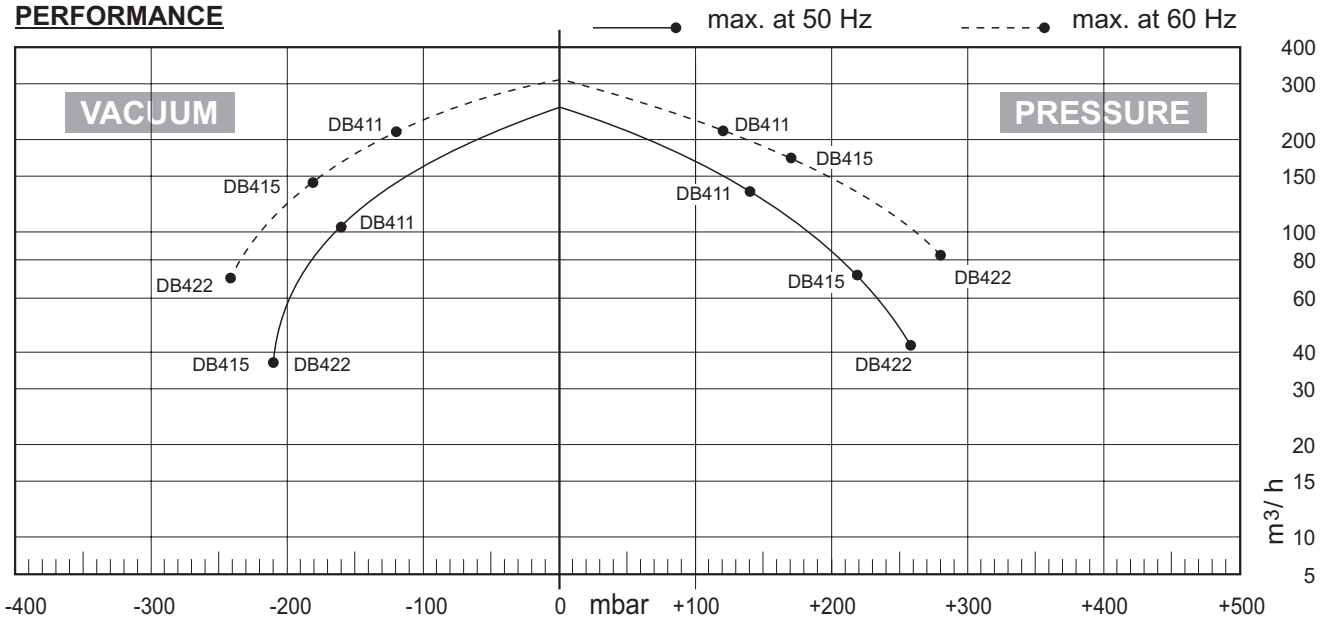


TECHNICAL DATA DB 411/415/422 three-phase

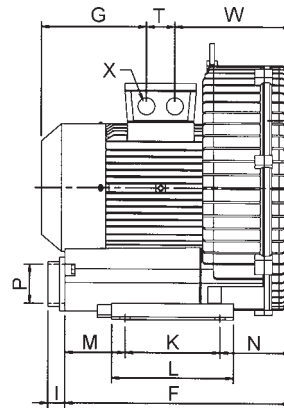
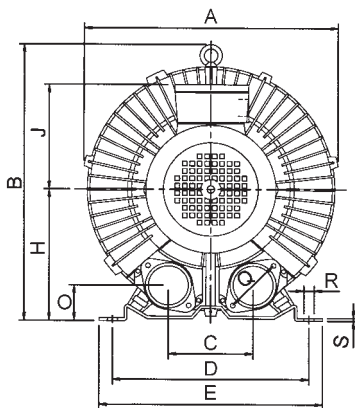
		50 Hz		60 Hz	
Power	DB 411	1.1	kW	1.3	kW
	DB 415	1.5	kW	1.8	kW
	DB 422	2.2	kW	2.6	kW
Voltage	DB 411	230/400	V	230/400	V
	DB 415	230/400	V	230/400	V
	DB 422	230/400	V	230/400	V
Current	DB 411	4.5/2.6	A	4.5/2.6	A
	DB 415	6.4/3.5	A	6.0/3.7	A
	DB 422	8.0/4.6	A	10/6.0	A
Revolutions		2900	/min	3500	/min
Noise level		70	dB(A)	73	dB(A)
Protection class		IP 54		IP 54	
Weight	DB 411	25	kg	25	kg
	DB 415	26	kg	26	kg
	DB 422	26	kg	26	kg



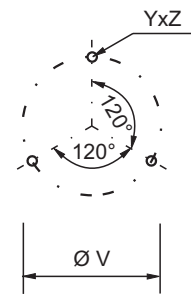
PERFORMANCE



DIMENSIONS



Dimensions in mm



A	B	C	D	E	F	G	H	I	J	K	L
332	338	122	260	296	300	152	176	25	134	115	155
M	N	O	P	Q	R	S	T	V	W	X	YxZ
102	83	44	2"	83	4xØ14	4	0	200	158	1/2"	M8x15